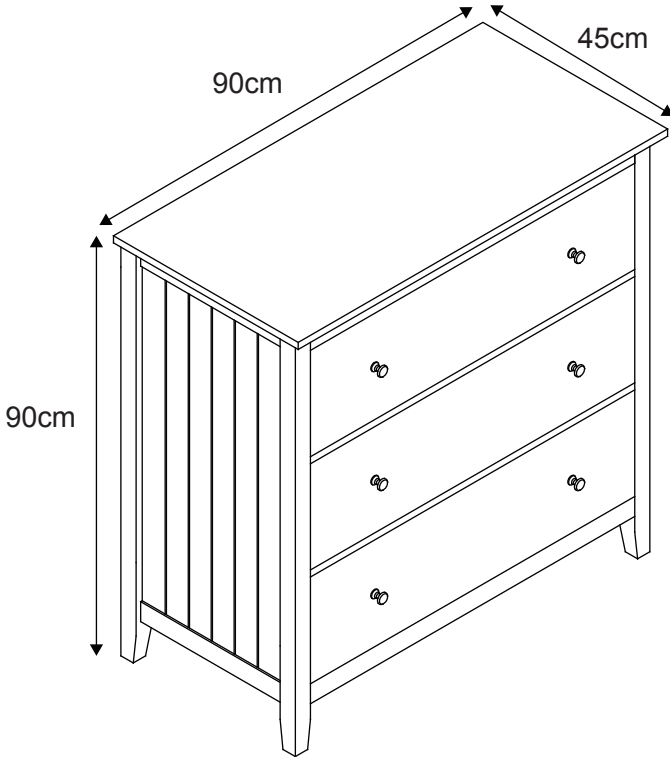


LIVING & CO[®]




Glacier 3 Drawer Chest



INSTRUCTION MANUAL

Maximum recommended weight limit is 10kg per drawer.

Assembly Details

<p>60 Mins Approximate Assembly Time</p>	<p> 1 Person Assembly</p>	<p>Floor Area 2m x 2m</p> <p> Required Assembly Space</p>
<p> Tools Required</p>		

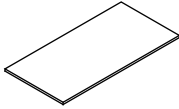
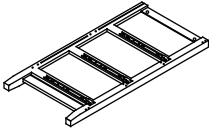
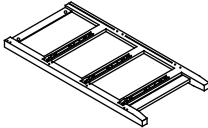
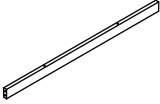
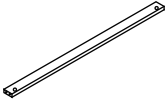
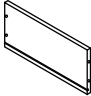
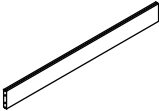
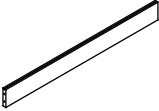
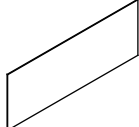
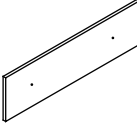
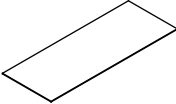
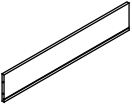
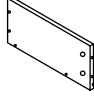
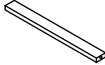
Tips before you start

- 1 For the protection of your furniture, we recommend that the product is placed on a protected surface during assembly to prevent any damage
- 2 Please check that all parts are present before you start the assembly of your furniture.
- 3 For ease and speed of assembly, we recommend that you identify all the parts required for each step before commencing with assembly.
- 4 For larger items, please ensure that you have sufficient space and people (as indicated on page 1) to assemble your product safely.
- 5 We recommend that, where possible, all items are assembled near to the area in which they will be placed in use, to avoid moving the product unnecessarily.
- 6 During assembly please take care not to over-tighten hardware, as this may damage the product. Do not use power tools.
- 7 Always place the product on a steady and stable surface.
- 8 Do not stand on the product. Do not use the product as a stepladder.
- 9 This product is intended for indoor, household use only as it is a non-industrial product.












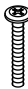



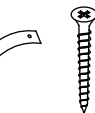
Care and maintenance

- ✓ Please periodically check all things and re-tighten as necessary.
- ✓ To clean your item, please use a damp cloth and wipe clean.
- ✓ Never allow any kind of liquid to remain on your furniture.
- ✓ Please do not place hot items (eg. Hot drinks) directly on to the surface.

Part List

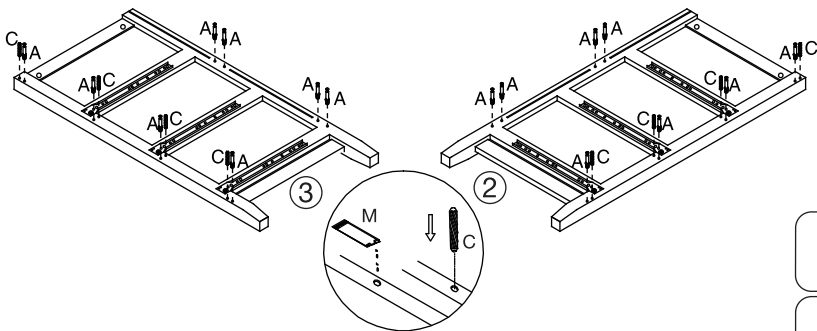
							
1	1 PC	2	1 PC	3	1 PC		
							
4	1 PC	5	3 PCS	6	3 PCS		
							
7	1 PC	8	1 PC	9	2 PCS	10	3 PCS
							
11	3 PCS	12	3 PCS	13	3PCS	14	3PCS

Hardware List

								
35 x A	35 x B	8 x C	12 x D	1 x E	1 x F	3 x G	3 x H	
								
6 x I	6 x J	6 x K	6 x L	1 x M	15 x N	2 x O	1 x P	1 x Q

Assembly

Step 1

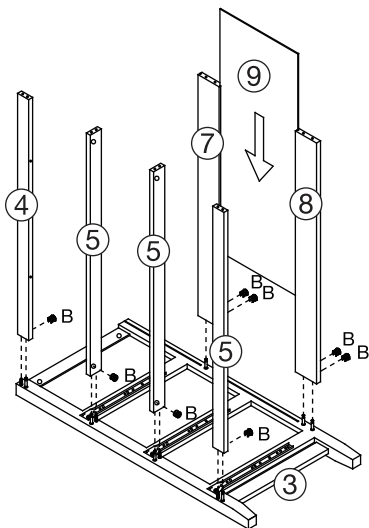


A x 16

C x 8

M x 1

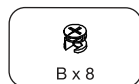
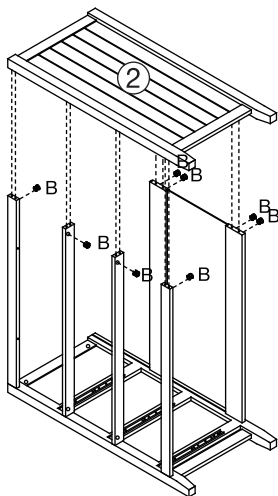
Step 2



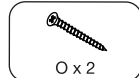
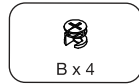
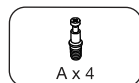
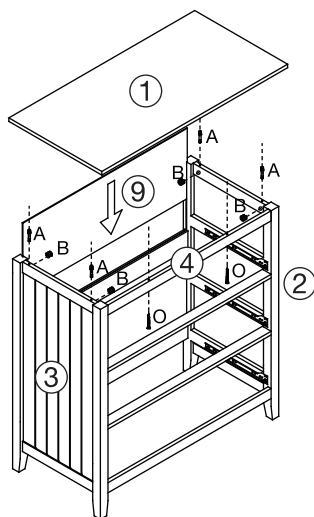
B x 8

Assembly

Step 3

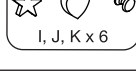
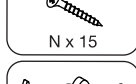
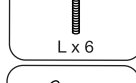
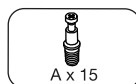
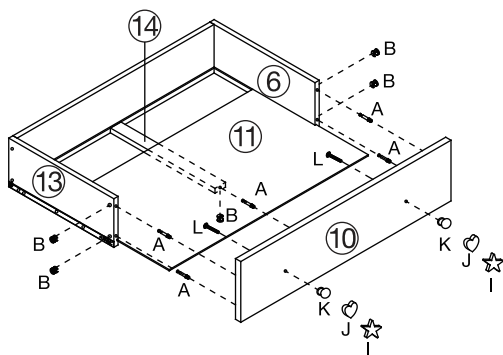
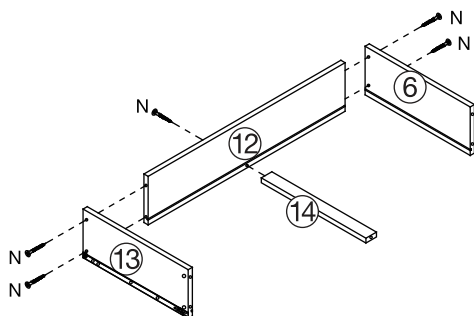
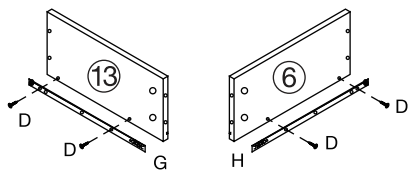


Step 4



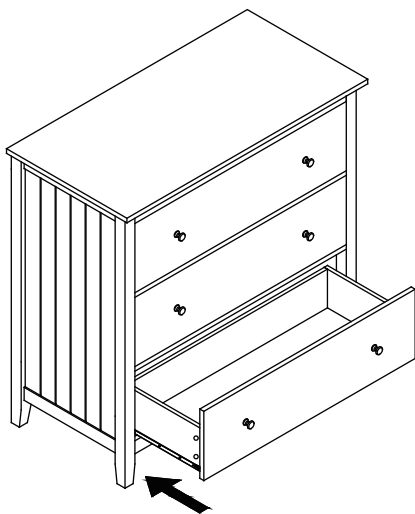
Assembly

Step 5

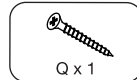
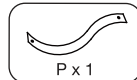
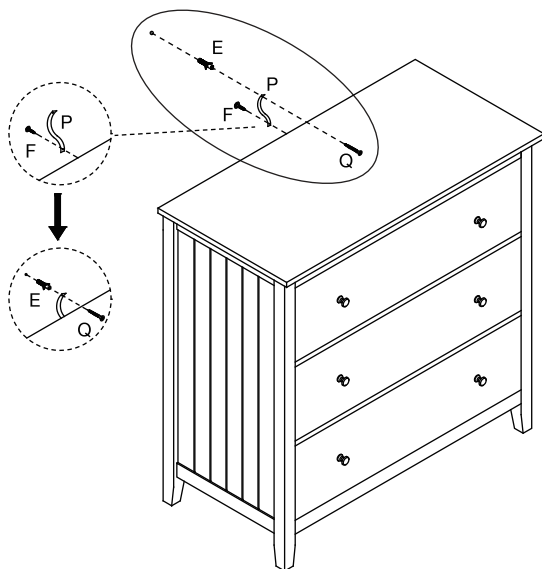


Assembly

Step 6



Step 7





LIVING & CO[®]

WARRANTY

We pride ourselves on producing a range of quality products that are both packed with features and completely reliable.

We are so confident in our products, we back them up with a one year warranty. Now you too can relax knowing that you are covered.

Customer Helpline NZ: 0800 422 274

This product is covered by one year warranty when accompanied by proof of purchase.